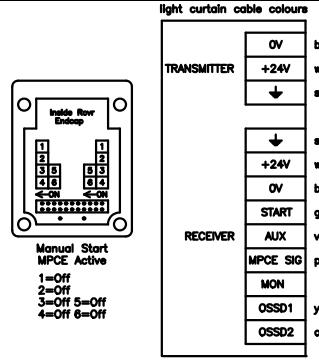
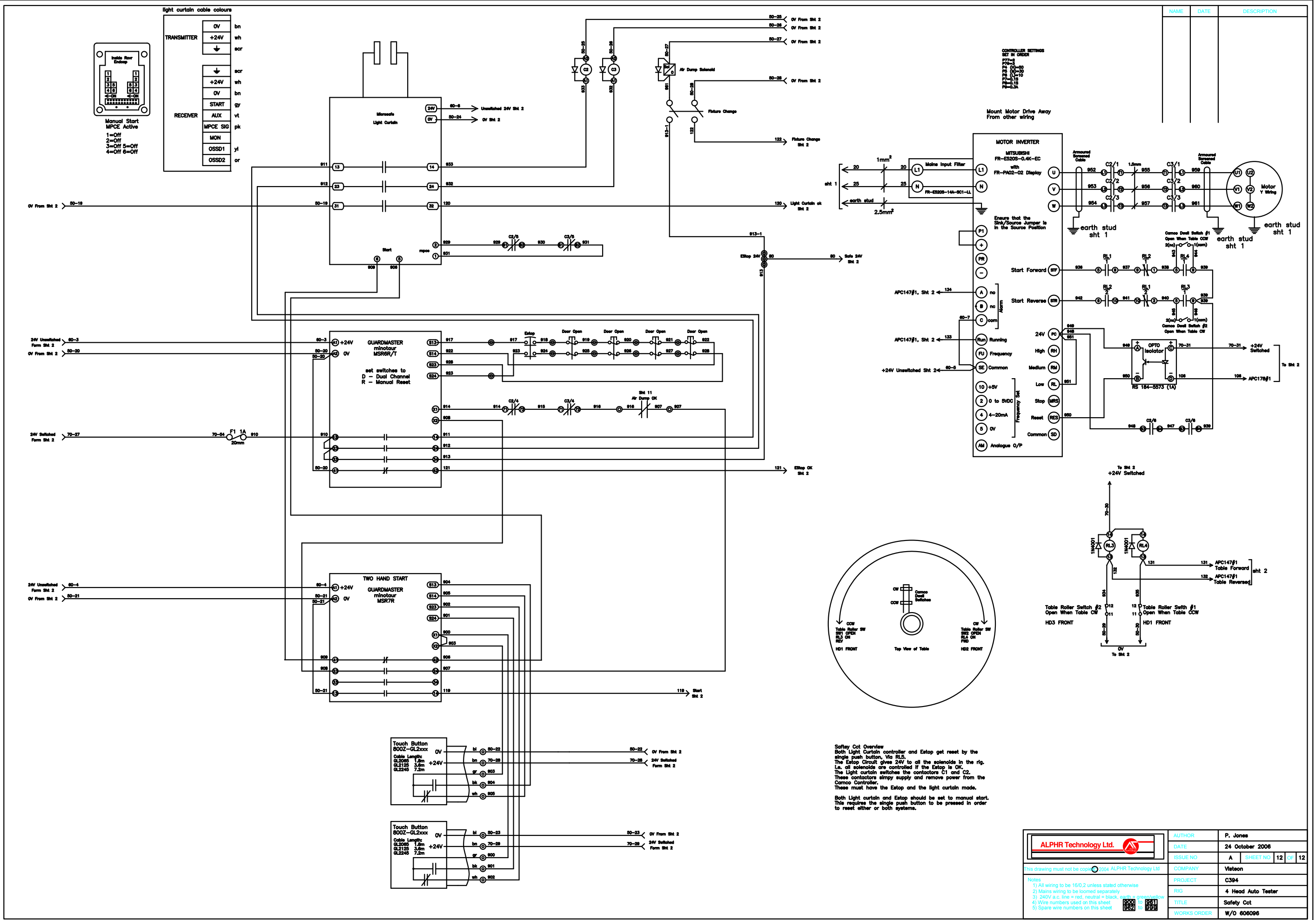


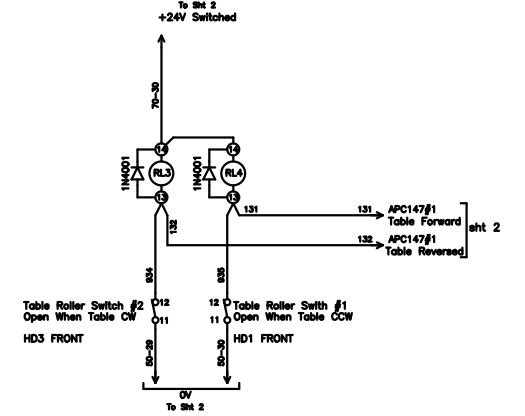
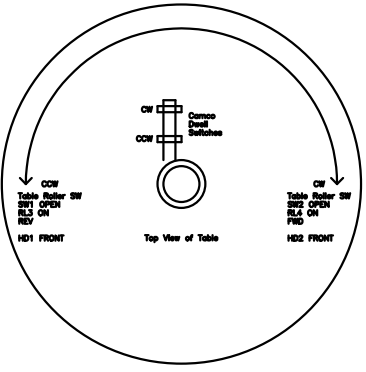
NAME	DATE	DESCRIPTION



Manual Start
MPCE Active
1=Off
2=Off
3=Off 5=Off
4=Off 6=Off

CONTROLLER SETTINGS
SET IN ORDER
1) 100
2) 100
3) 100
4) 100
5) 100
6) 100
7) 100
8) 100
9) 100
10) 100

Mount Motor Drive Away
From other wiring



Softkey Cct Overview
Both Light Curtain controller and Estop get reset by the single push button, Via RL5.
The Estop Circuit gives 24V to all the solenoids in the rig. I.e. all solenoids are controlled if the Estop is OK.
The Light curtain switches the contactors C1 and C2. These contactors simply supply and remove power from the Camco Controller.
These must have the Estop and the light curtain made.
Both Light curtain and Estop should be set to manual start. This requires the single push button to be pressed in order to reset either or both systems.

	AUTHOR	P. Jones
	DATE	24 October 2008
This drawing must not be copied or reproduced without the written permission of ALPHR Technology Ltd.	ISSUE NO	A
	COMPANY	Vitecon
Notes: 1) All wiring to be 160.2 unless stated otherwise 2) Mains wiring to be loomed separately 3) 240V a.c. line = red, neutral = black, earth = green/yellow 4) Wire numbers used on this sheet 5) Spare wire numbers on this sheet	PROJECT	C394
	RIG	4 Head Auto Tester
	TITLE	Safety Cct
	WORKS ORDER	W/O 606096